



(10.4" HMI touchscreen shown)



Integrated smoke safety controls

The IntelliVent OPC (Open Protocol Control) is Airvent's industry-leading smoke control panel, designed to operate and co-ordinate the effective running of your smoke control system. If required the open network can be easily extended to control other building systems, cutting down on the need for multiple panels and providing a one-stop control system.

The IntelliVent OPC is designed to integrate various 'life safety systems', damper packages and day to day systems into one central intelligent unit, providing immediate response to detected changes in environmental conditions and applying the appropriate smoke control response immediately.

Options

The IntelliVent OPC is available with 5.7" (monochrome) or colour 7.5", 10.4", 15" or 19" HMI touch screens. The stainless steel panel enclosures can be either flush or surface mounted and are supplied with a lockable vision door. The HMI can also be separated from the control panel to allow incorporation into master control suite if required.

IntelliVent uses a fire rated network between the HMI and main panels and between the main panels and local interface units. This is an open standard based on IEC 62026 – 2 and EN 50295. The panel can be uploaded with various building graphics to suit specific client requirements and above you can see two typical images of what could be provided. Diagnostics, fault finding and system log are all available as standard with the IntelliVent OPC.

Unlike some other control systems, IntelliVent OPC is designed and tested to be so resilient that even a catastrophic failure to the front end mimic / override panel will not result in failure of the complete control system.

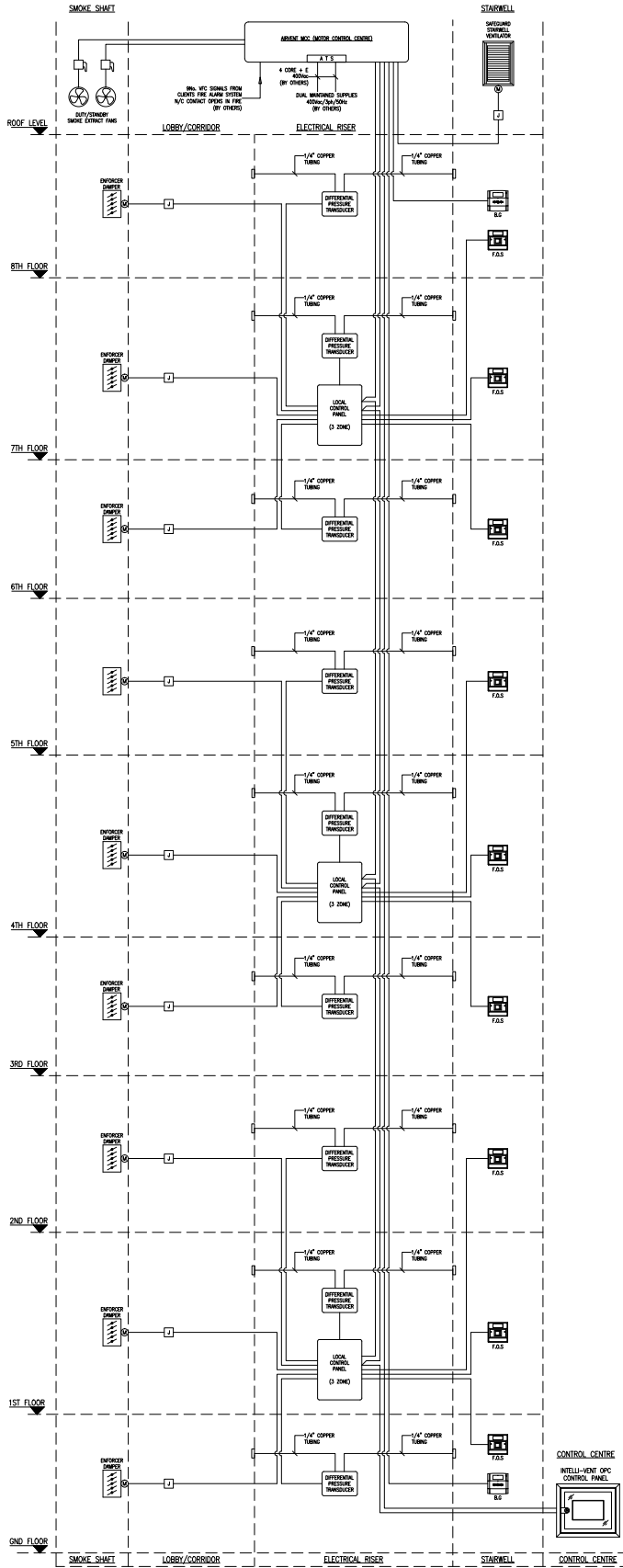
Application

- > Atria
- > Shopping centres
- > Industrial buildings
- > Offices
- > Train stations
- > Ports
- > Enclosed car parks
- > Tunnels
- > Underground structures
- > Airports
- > Commercial buildings
- > Apartment buildings

Our range



Sample System Schematic



Technical modifications reserved

The system incorporates:

MCC (Motor Control Centre) with optional ATS (Auto Changeover)

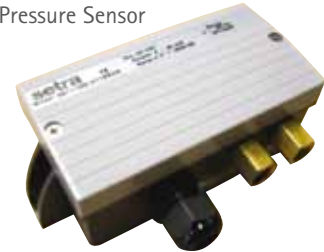
Form 4 panels are also available.



Fireman's Override Switch



Pressure Sensor



Smoke Detector



NOTE
ALL CABLES TO BE INSTALLED IN ACCORDANCE WITH BS8519:2010 (CAT3 WHERE SUITABLE SIZED CABLES ARE AVAILABLE.)

