

Shadow



Stylish glazed smoke ventilator for roof applications

Cleverly concealed controls are at the heart of the Shadow's stylish design, making it the ideal installation of choice for roof applications where both the internal and external appearance play an important role.

The Shadow aesthetic glazed casement smoke ventilator has thermally insulated profile sections and a small mounting height, with a mounting angle of 10° to 90°. When closed, the controls are completely embedded in the frame.

Materials

Airvent's Shadow can be supplied both untreated, anodized or in any RAL colour you desire. The product can be supplied as: single-walled aluminium; double-walled insulated aluminium; laminated glass; insulated glass; and double-walled polycarbonate.

The frame is sealed with EPDM rubber, and the structure is completely thermally insulated, ensuring a high insulation value for the window.

Application

- > Commercial
- > Shopping centres
- > Atria
- > Residential
- > Retail
- > Airports
- > Leisure
- > Schools

Our range



Designs

The Shadow is suitable for applications in roofs, with a mounting angle of 10-90°. The opening angle of the Shadow is a maximum of 90° in relation to the base structure. The structure consists of completely thermally insulated aluminium profile sections. The design ensures that the external appearance has also been perfectly finished in detail. The frame is sealed with EPDM rubbers. The structure is completely thermally insulated, ensuring a high insulation value for the window.

Flanges

The flange thickness of the Shadow is a minimum of 24 mm.

Controls

The entire control system for the Shadow is completely concealed inside the structure in its closed state. Cylinders, gas springs or motors are not therefore visible, which means that the Shadow can be used in any situation.

P single-action compressed air operation

M motor operation

Extras: **FS** failsafe

External appearance

Any rectangular shapes are possible as standard with:

- > frame height of 600 to 2000 mm
- > frame width of 600 to 2500 mm
- > maximum panel surface area of 3.5 m²
- > glass thickness 6-40 mm
- > mounting angle of 10°-90°
- > opening angle of a maximum of 90°

The Shadow can also be supplied in a triangular shape.

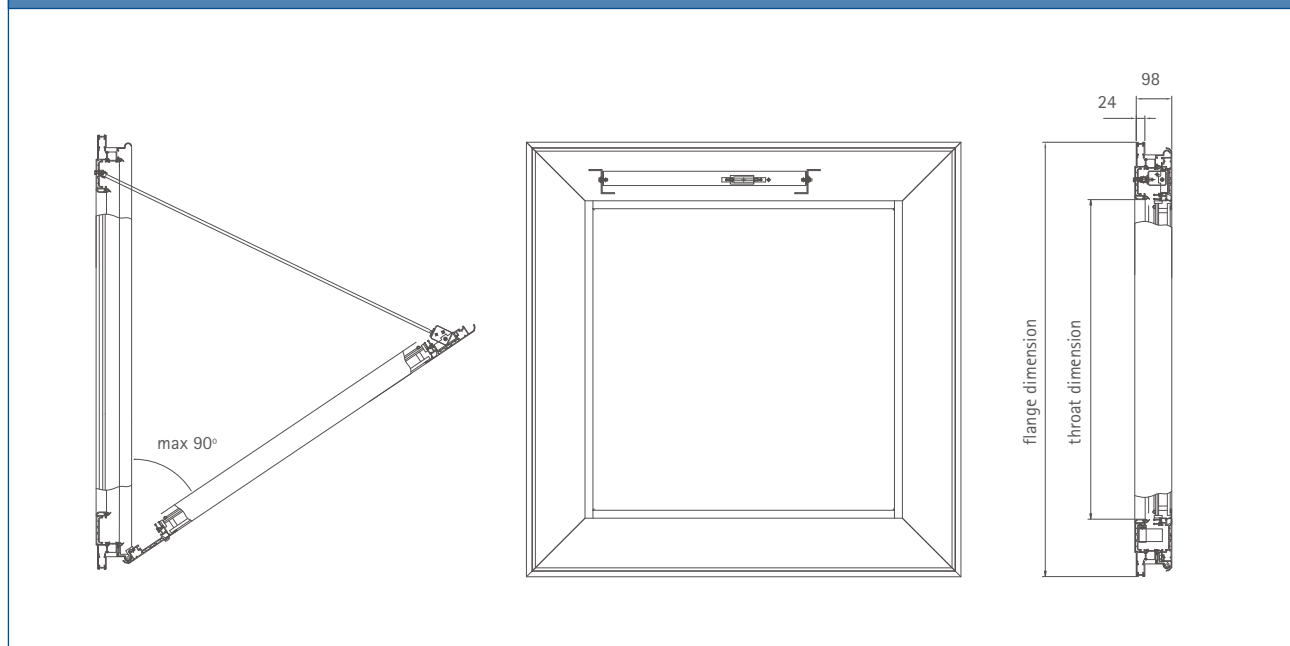
The weight depends on dimensioning and panel.

The maximum weight of the panel is 45 kg/m².

Regulations

The system is tested and certified in accordance with EN 12101-2.

Cross sections



T: +44 (0)29 2077 6160 www.airvent.co.uk



Printed upon 100% recycled paper using environmentally friendly processes
Designed and produced by Horizon Digital Media Ltd www.horizondml.co.uk

