

Phantom



Stylish glazed smoke ventilator for vertical façade applications

An elegantly crafted ventilation solution ideal for natural, day-to-day ventilation as well as smoke ventilation in case of fire, the Phantom features concealed controls which have been completely embedded into its structure.

Aesthetically designed and reliably constructed, Airvent's Phantom is a high-grade smoke ventilator for vertical façade applications.

Materials

Airvent is able to supply the Phantom to suit your building; untreated, anodised or powder-coated (in any RAL colour you require). In addition, the following designs can be supplied in the ventilator: single-walled aluminium, double-walled aluminium insulated, laminated glass, insulated glass and double-walled polycarbonate.

Application

- > Commercial
- > Shopping centres
- > Atria
- > Residential
- > Retail
- > Airports
- > Leisure
- > Schools

Our range



Designs

The Phantom has an extremely slim profile which means that the system is ideally suited for use in facades. The mounting angle is 90°, the opening angle in relation to the base structure is 30° as standard. The Phantom is used for both day-to-day ventilation and fire ventilation. The structure consists of a completely thermally insulated aluminium profile section.

The design ensures that the external appearance has also been perfectly finished in detail. The frame is sealed with EPDM rubbers.

Flanges

The flange thickness of the Phantom can be varied from 5 mm to 55 mm.

Controls

The entire control system for the Phantom is completely concealed inside the structure in its closed state. Cylinders, gas springs or motors are not therefore visible, which means that the Phantom can be used in any situation. It is also possible to very easily clean the window.

P single-action compressed air operation

M motor operation

Extras: **FS** failsafe

External appearance

Any rectangular shapes are possible as standard with:

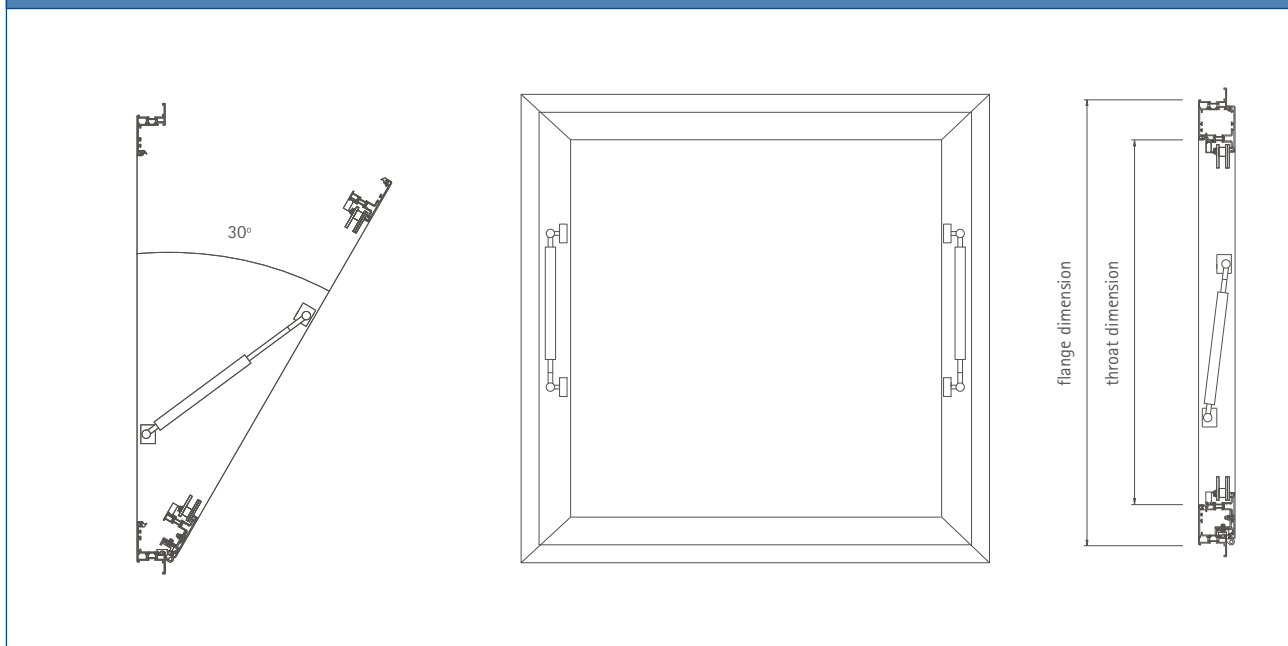
- > frame height of 600 to 2000 mm
- > frame width of 600 to 2500 mm
- > maximum panel surface area of 3.5 m²
- > glass thickness 6-40 mm
- > opening angle of 30° as standard (variations by agreement)

The weight depends on dimensioning and panel. The maximum weight of the panel is 45 kg/m².

Regulations

The system is tested and certified in accordance with EN 12101-2.

Cross sections



T: +44 (0)29 2077 6160 www.airvent.co.uk



Printed upon 100% recycled paper using environmentally friendly processes
Designed and produced by Horizon Digital Media Ltd www.horizondml.co.uk

