

Uniclass L75342	EPIC L331
CI/SfB (57.8)	X (K23)

**design supply install regulatory compliance total build**

## VSL iNova

Vertical mounting  
Certified to BS7346:Part 1:1990  
Low profile  
Independently tested to EN 12101-2  
Concealed mechanisms  
Sealed with integral gaskets  
Weather tested  
Controlled opening and closing  
Rigid construction for long term integrity

design  
louvre ventilators  
casement ventilators  
powered  
fixed louvre  
controls  
installation  
service & maintenance

## VSL iNova

Airvent's VSL iNova glazed casement ventilator is designed for the natural extraction of heat, smoke and fumes. The ventilator is ideal for vertical installation in an atrium, multi-storey building or shopping mall where the aesthetics of a glazed facade are required.

The iNova combines total versatility with enhanced architectural features and has the capability to be bottom, top or side hung depending on the project requirements. Ventilators can be installed from 80 degrees to the vertical. *(For inclined applications see our ISL range).*

The ventilator is comprised of an inner and outer frame with snap on glazing cap. The frames have been designed to provide a unique slim unobtrusive profile. All components are manufactured from aluminium extrusions to **BS1474 Grade 6063**. The ventilator is fitted with integral gaskets. All hinge and operating mechanisms are fully concealed within the outer frame. Operation is by pneumatic or electric actuators.

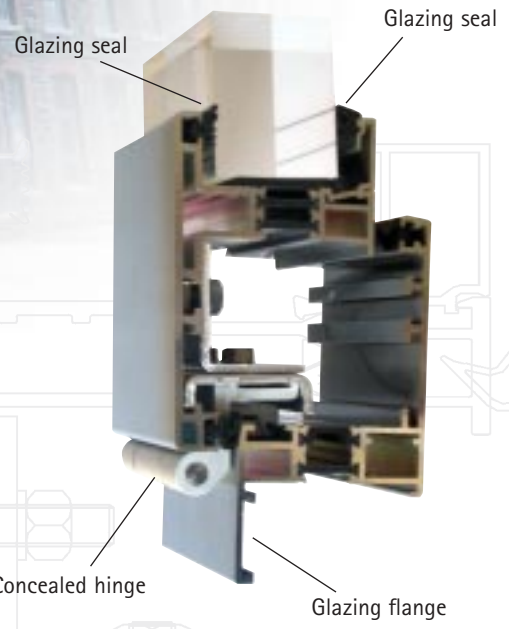
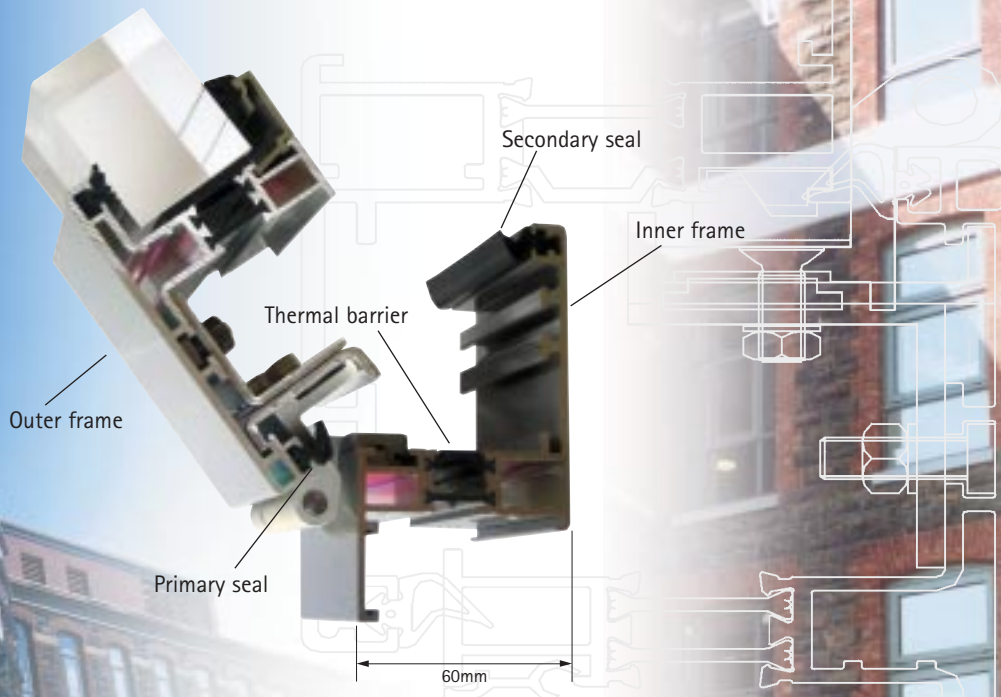
Glazing options are available from 6mm to 26mm as standard with glass, polycarbonate or acoustic insulation.

The iNova can be supplied with a polyester paint finish from our standard range of colours to **BS6496** as an optional extra.

The iNova has been independently tested to meet the requirements of the **EN12101-2** and also complies with **BS7346: Part 1:1990**. Weather tested for watertightness and wind resistance performance by a third party test certificate **E 213.8.119** from **CEBTP** and meets the requirements of **BS5368/BS6375**.

The ventilators can be manufactured from a wide range of sizes dependent upon roof slope, operation and glazing option. Ventilators can be either rectangular or trapezoidal.





All products used are provided with comprehensive guarantees and comply to standards relevant to each installation and application, including EN12101-2 and BS7346



## 1 VSL INOVA

- Aluminium glazed casement ventilators for vertical applications.

## 2 ISL LUMA

- Aluminium glazed casement ventilators for incline applications.

## 3 EURA

- Louvred smoke ventilator with either aluminium, insulated or glass/polycarbonate blades for roof or vertical applications.

## 4 POWERED FANS

- A wide range of roof and duct mounted fans for all powered ventilation systems.

## 5 CONTROL SYSTEMS

- Fully designed electric or pneumatic control systems including control panels, rain sensors, thermostats etc. All wiring, pneumatic pipework etc. fully comply with current regulations.

## 6 SMOKE CURTAINS

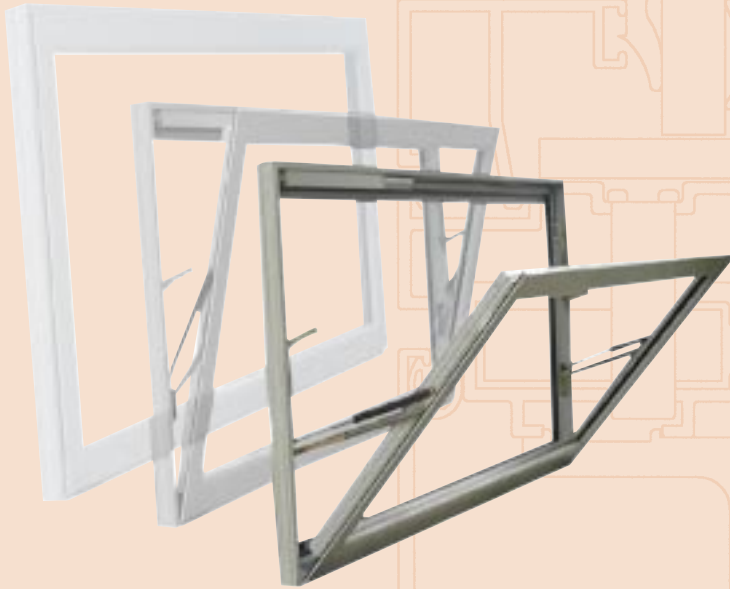
- Both static and retractable curtains for creating the necessary smoke compartmentation.

## 7 SERVICE

- A comprehensive 24 hour service and maintenance facility is available throughout the UK.

All equipment meets the requirements of BS 7346: Parts 1: 1990 and EN 12101-2. Ventilators have been tested for weather, wind resistance snow loadings and air permeability to European standards.

The ventilators can be manufactured from a wide range of sizes - see table below



Since 1988, Airvent Systems Ltd have established a proven track record in ventilation expertise. We offer a complete smoke ventilation scheme design, product selection, installation and planned maintenance service, specific to each commercial or industrial project.

Experienced design engineers and site installation teams provide a comprehensive service from design inception to contract completion. Each project is designed in accordance with current design practices and full liaison with the Client, Building Control and the Fire Brigade ensures that all systems fully comply with both local and national regulations.

To meet the individual needs of each project, a comprehensive range of products is available incorporating louvred ventilators, glazed casement ventilators, powered ventilators, smoke curtains and control systems.

1



2



3



4



5



6



7



## AIRVENT

Airvent Systems Ltd  
Systems House  
Lamby Industrial Park  
Wentloog Avenue  
Cardiff CF3 2EX

Tel: +44 (0)2920 776160

Fax: +44 (0)22920 776161

Email: [systems@airvent.co.uk](mailto:systems@airvent.co.uk)



© Airvent Systems Ltd. 2004